

Specification of: REM 11-0250-2W-08

High performance Centrifugal fan Nicotra Gebhardt rotavent with external HIGH EFFICIENCY motor in efficiency class IE 2 (IEC 60034-30)

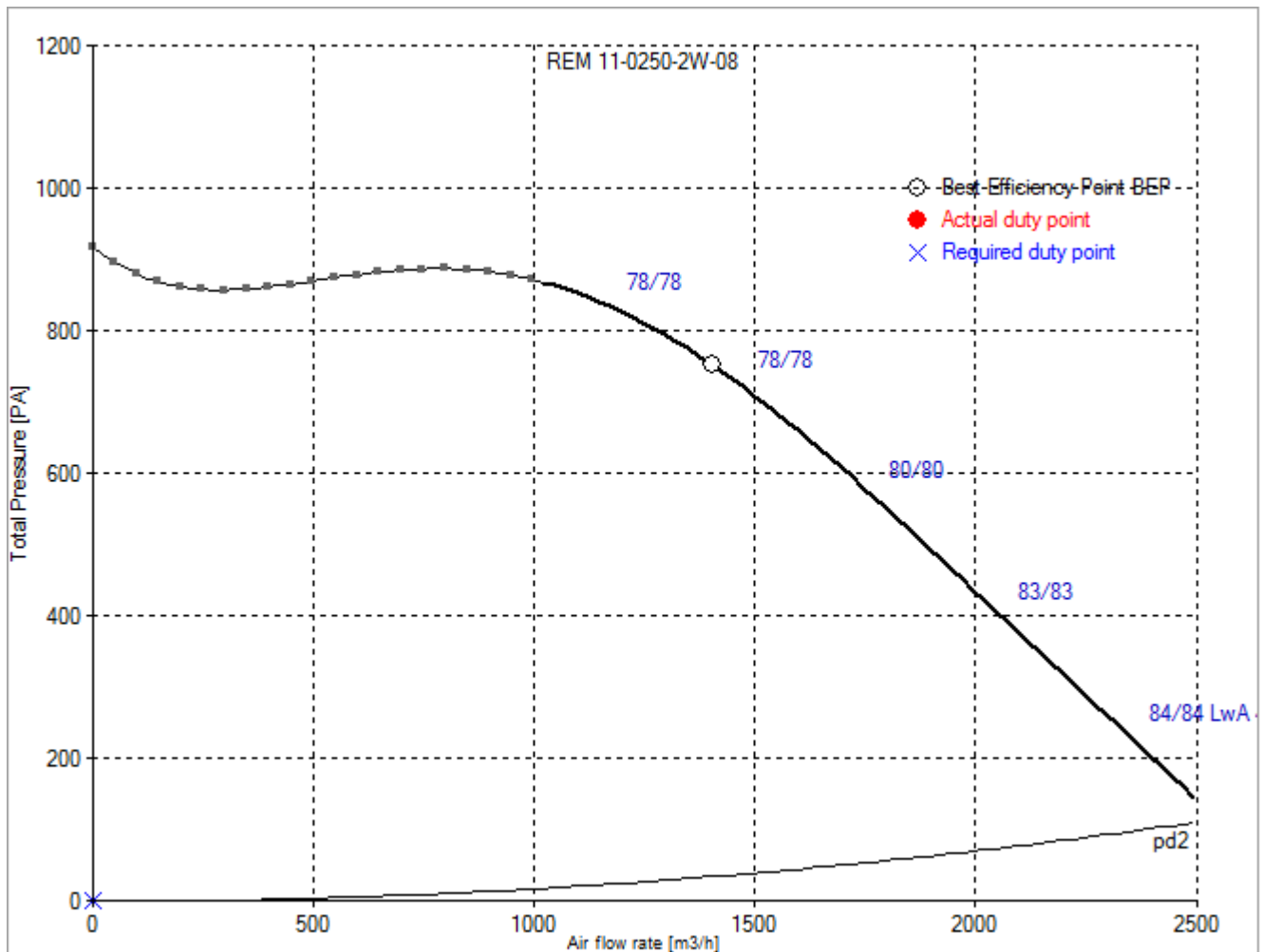
Single inlet with direct drive. Lap-jointed scroll housing made from galvanised steel sheet, without pedestal for vertical or horizontal mounting. centrifugal impeller with 11 backward curved blades, degreased, ironphoshated and painted Motor B5, mounted outside the airstream. Impeller and shaft statically and dynamically balanced in accordance with DIN ISO 21940-11, completely maintenance free. The motor is equipped with PTC Thermistors as a standard. Three phase 400 V, 50 Hz, single speed.

Technical data of the fan: REM 11-0250-2W-08

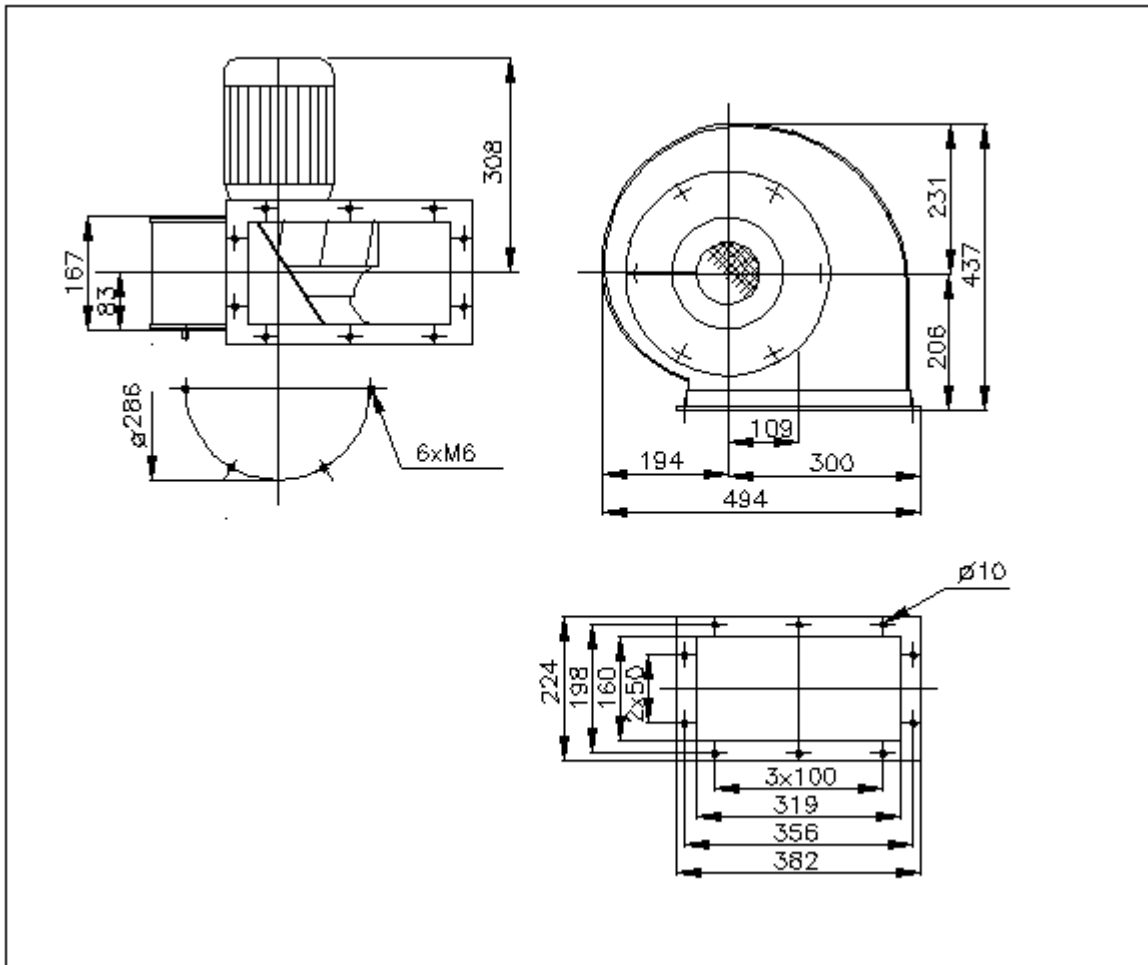
[fulfills the ErP requirements 2015](#)

Description	Value Dimension
Specified duty point	
Actual duty point	
Installation acc. DIN 24163 Part 1	B
Reference density (ρ_{ref})	1.20 kg/m ³
Medium temperature (t)	20 C
Fan weight	15 kg
<small>SOUND PRESSURE levels at 1/2/3 m distance can be calculated with free sound propagation approximately by reducing the SOUND POWER level by 11/17/20 dB !</small>	
Rated data	
Phases-Voltage-Frequency	3~230/400-50 V-Hz
Frame size-poles:	71 M / IE2-2
Motor rating (P_N)	0.55 kW
Rated motor speed (n_N)	2780 min ⁻¹
Rated motor current (I_N)	2,35/1,34 A
operational limits	
Temperature range of conveying medium ($t_{min} \dots t_{max}$)	-20...60 C
ErP-Data at best efficiency and density - kg/m³	
measurement- / efficiency category	B / total
design status of VSD	without VSD
overall efficiency (η_{opt})	56.3 %
achieved efficiency grade (N_{ist})	69.8
required efficiency grade in 2013 / 2015 (N)	61 / 64
Air flow rate (V_{opt})	1407 m ³ /h
pressure rise (dp_{opt})	752 Pa
Fan speed (n_{vopt})	2860 min ⁻¹
motor power input (P_{1opt})	0.522 kW
specific ratio (d_{dpopt})	1.008

Fan curve to REM 11-0250-2W-08



Dimensions to REM 11-0250-2W-08



Rotation:
Handing:

RD
90